

ST 2110 Launch Pad - Install and Troubleshoot

Hartmut Opfermann

Senior Solutions Architect | Qvest

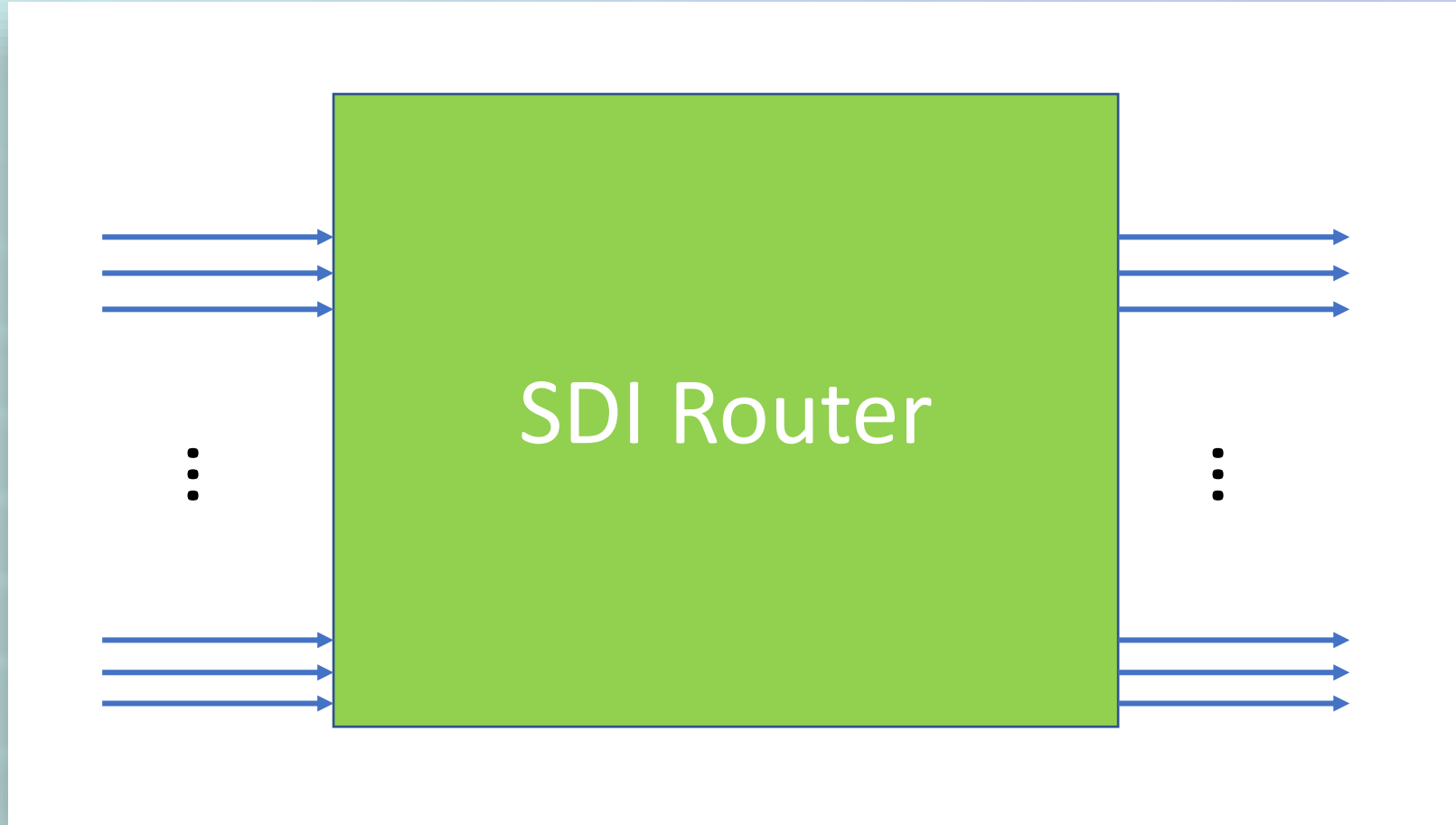


The logo for Qvest, featuring the word 'QVEST' in a large, bold, orange, sans-serif font. The letter 'Q' has a small white arrow pointing downwards and to the right from its bottom-right corner.

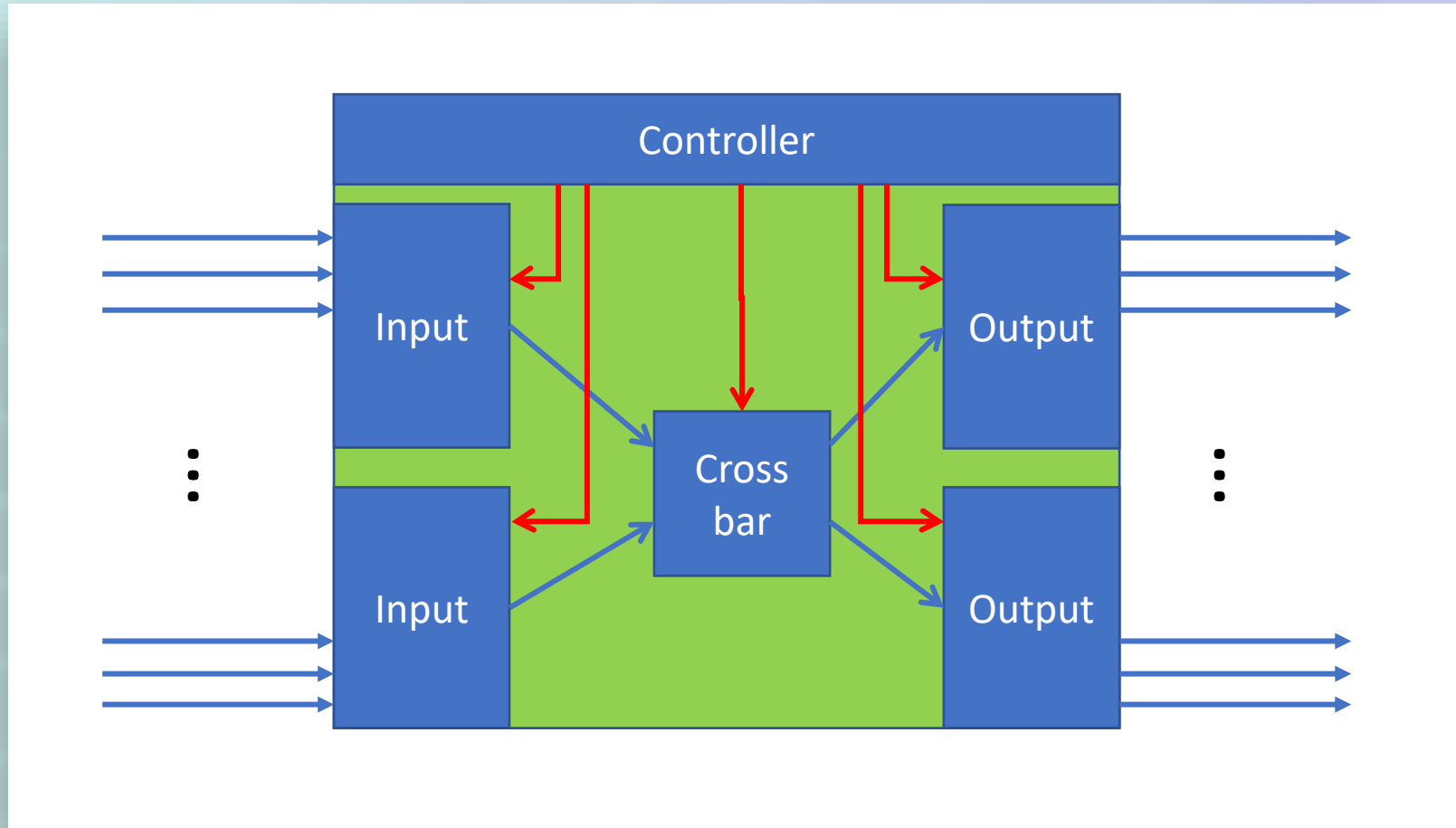
Agenda

1. THE SDI ROUTER ANALOGY
2. THE LAYERED TECHNOLOGY STACK
3. PHYSICAL LAYER
4. NETWORK LAYER
5. NETWORK CONTROL LAYER
6. STREAM CONTROL LAYER
7. BROADCAST CONTROL LAYER

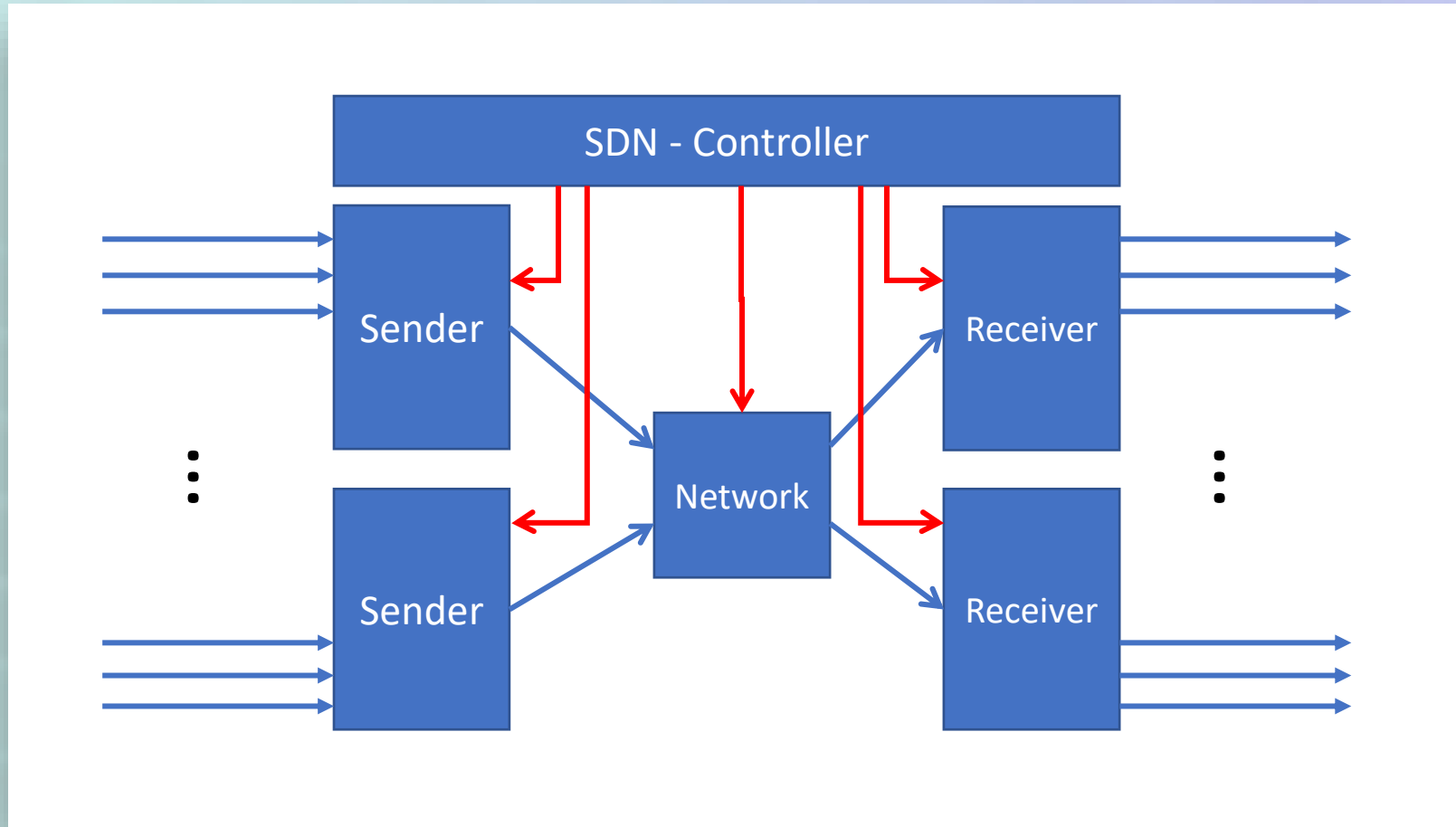
The SDI Analogy: Router



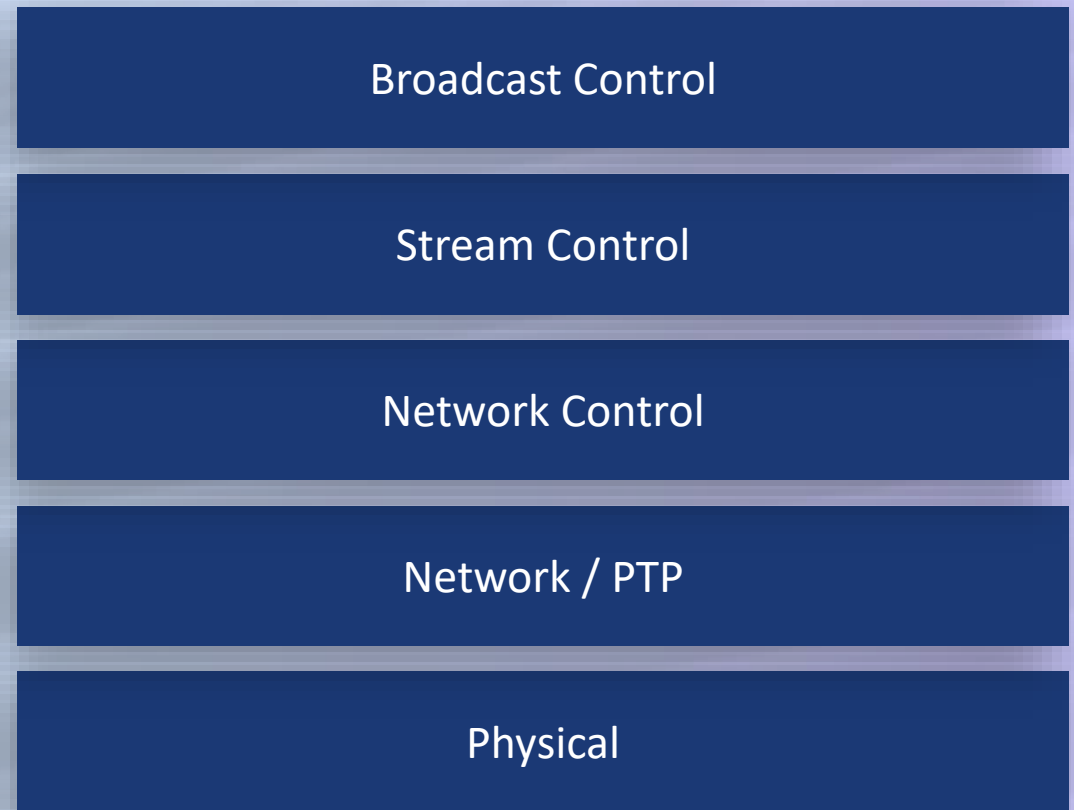
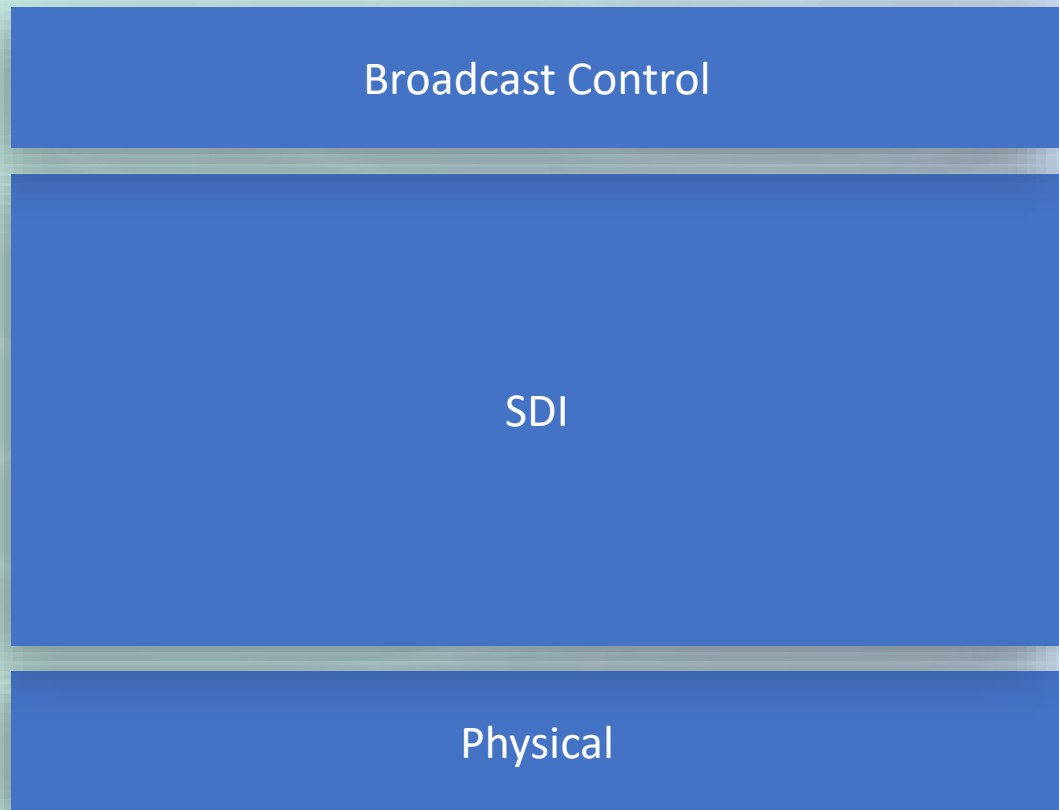
The SDI Analogy: Inside



The SDI Analogy: IP



The Layered Stack – Compared to SDI



The Layered Stack



Broadcast Control

Stream Control

Network Control

Network / PTP

Physical

- Each layer provides a specific function and relies on the layer below.
- Not all layers are needed in every system.
- More than one layer might be combined in a single subsystem.
- Installation and Troubleshooting is most effective when done by layers.

Physical Layer



What is it about:

- Cables
- SFPs

What to look out for

- Is the cable correctly connected ?
- Fiber polarity and plug type (MPO connectors)
- Correct FEC type

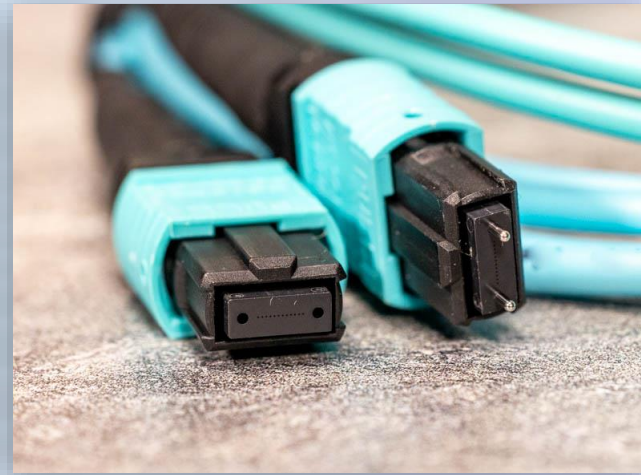
Tools

- Switch User Interface
- DOM (Digital Optical Monitoring) statistics



MPO Connectors

- **Up to 12 Fibres** in one connector (typically, 8 are used)
- **Breakout cables** are very useful for high density (100G to 4 x 25G or 40G to 4 x 10G)
- **Watch out:** Female can physically be connected to female – but connection will not work.



DOM Statistics and FEC Types



```
Ethernet1/1
transceiver is present
type is 1000base-LH
name is CISCO-OPLINK
part number is 1837023160
revision is 01
serial number is OPM25150E30
nominal bitrate is 1300 MBit/sec
Link length supported for 9/125um fiber is 10 km
cisco id is 3
cisco extended id number is 4
cisco part number is 10-2625-02
cisco product id is GLC-LH-SMD
cisco version id is V02
```

SFP Detail Diagnostics Information (internal calibration)

	Current Measurement	Alarms		Warnings	
		High	Low	High	Low
Temperature	35.00 C	89.00 C	-9.00 C	85.00 C	-5.00 C
Voltage	3.28 V	3.60 V	3.00 V	3.50 V	3.10 V
Current	24.12 mA	69.90 mA	4.50 mA	64.95 mA	5.50 mA
Tx Power	-6.19 dBm	0.99 dBm	-13.56 dBm	-3.00 dBm	-9.50 dBm
Rx Power	-7.07 dBm	0.99 dBm	-23.01 dBm	-3.00 dBm	-19.20 dBm
Transmit Fault Count	= 0				

Note: ++ high-alarm; + high-warning; -- low-alarm; - low-warning

```
auto          FEC auto
fc-fec        CL74(25/50G)
off           Turn FEC off
rs-cons16     RS FEC Consortium 1.6 (25G)
rs-fec        CL91(100G) or Consortium 1.5 (25/50G)
rs-ieee       RS FEC IEEE (25G)
```

Network Layer



What is it about

- Switch configuration

What to look out for

- IGMP Snooping Querier (If you are using a layer 2 network)
- Addressing issues
- PTP configuration errors:
 - Domain, timer and priority values
 - Control plane policing
- Problems with PTP Grandmaster failover scenarios

Tools

- Switch user interface
- Network Management System



IGMP Snooping Querier



- Only applicable in a Layer-2 network
- If your receivers loose their flow after 30 seconds, your network has no IGMP querier
- Recommendation to not build layer-2 media networks larger than one switch.



PTP Configuration Errors



Look at the ptp counters of the interface.

Do the sync packets increase?

- If not, there is probably something wrong with the switch configuration.

Do the delay request packets increase?

- If not, the end device configuration is not matching (most probably the domain)

```
PTP Packet Counters of Interface Eth1/33:
-----
Packet Type           TX           RX
-----
Announce              33           5825643
Sync                  40           11651217
FollowUp              40            0
Delay Request        11586191      0
Delay Response         0           11586191
PDelay Request         0            0
PDelay Response        0            0
PDelay Followup       0            0
Management            23           1456154
Signaling              0            0
-----
```

Network Control



What is it about

- Establishing the paths through a network that consists of multiple switches and links between them

What to look out for

- Are all switches reachable by the network controller?
- Is the controller showing the flow routed correctly?
- Is multicast routing the same between the network controller and the actual hardware?

Tools

- Switch UI
- Network Management System
- Network controller UI
- Flow monitoring (RTP flow monitoring, sflow)



End Device / Stream Control



What is it about:

- Connecting senders with receivers by copying SDPs from senders to receivers

What to look out for:

- Are the end devices reachable by the controller?
- Are the end devices configured with the required senders and receivers?
- Is the configuration correctly represented in NMOS?
- Is the SDP file on the sender matching the configuration?

Tools

- End Device UI
- Web browser for looking at the /x-nmos tree
- NMOS utilities



Broadcast Control



What is it about:

- Providing the User with a control interface
- Linking component flows (Association, Bouquet)

What to look out for:

- Audio channel configuration (Design Topic)
- Keep things as simple as possible

Tools

- Broadcast controller user interface
- Broadcast controller management interface
- Logs



Audio Channel Configuration



How many (mono) channels per stream?

- 1: is resource intensive (senders, receivers, flows)
- 4: compromise between 1 and 4
- 8: most compatible, but somewhat inflexible
- 16: matches SDI, but some devices don't support it
- Flexible: most complicated



General Design Thoughts



- **ST2110 systems are very flexible and powerful** but a significant change from exiting technologies and workflows.
- **Use design decisions** to adapt the many possibilities to your intended workflow.
- **Don't get carried away by the possibilities.** Keep things as simple as possible
- **Do not completely mimic your current workflows** that were based on traditional technology.
- **Be prepared to learn** more as you go.
- **Start small, but relevant.**



Questions?



Hartmut Opfermann

Senior Solutions Architect at Qvest

hartmut.opfermann@qvest.com

m: +49 163 3535 147

Qvest @ IBC2022: Hall 10, Booth C.25

www.qvest.com/st2110