



Building a Large OB-Truck Using SMPTE ST 2110

Hartmut Opfermann
BFE Studio und Medien Systeme



IP SHOWCASE THEATRE AT IBC2019 : 13-17 SEPT 2019



Agenda

- The Customer
- The Task
- The Decision
- The Challenge
- The Conclusion



IP SHOWCASE THEATRE AT IBC2019 : 13-17 SEPT 2019 ²



The Customer

Österreichischer Rundfunk - ORF

- Public Broadcaster in Austria
- 8 million Viewers in Austria
- 4 TV Channels 24x7
- 9 Regional Channels
- 12 Radio Channels



IP SHOWCASE THEATRE AT IBC2019 : 13-17 SEPT 2019 ³



The Task

Building a new OB-truck for sports, music and entertainment

- Cost-effective solution
- Some equipment needs to be reused
- Workflows for operators shouldn't change
- Needs to work with the existing infrastructure at ORF headquarters (which is still SDI-based)
- The design and technologies need to be scalable to serve as a blueprint for larger systems
- Use standard products, no custom development



IP SHOWCASE THEATRE AT IBC2019 : 13-17 SEPT 2019 ⁴



The Decision

- Three different designs were evaluated:
 - Based on an SDI router
 - Based on a proprietary network technology
 - Based on IP
- Decision Criteria
 - Must be economically viable
 - Functionality
 - Must have a certain maturity
 - Gaining experience with new technology (for upcoming larger projects)
 - Flexibility (Ease of upgrade to UHD, ability to change/add functionality)

BFE

IP SHOWCASE THEATRE AT IBC2019 : 13-17 SEPT 2019 ⁵



The Decision – Go for IP!

- Three different designs were evaluated:
 - Based on an SDI router
 - Based on a proprietary network technology
 - Based on IP
- Decision Criteria
 - Must be economically viable
 - Functionality
 - Must have a certain maturity
 - Gaining experience with new technology (for upcoming larger projects)
 - Flexibility (Ease of upgrade to UHD, ability to change/add functionality)

BFE

IP SHOWCASE THEATRE AT IBC2019 : 13-17 SEPT 2019 ⁶



The Challenges

You need SDI-IP-Converters

- Converters often include needed processing equipment
- As more and more devices add native IP interfaces, you will need less and less of Converters:
Between “Contract Award” and “Design Freeze”, the number of converters was reduced by 1/3 due to changing to newer devices with native IP interfaces.
- A good broadcast control system can provide a seamless experience



IP SHOWCASE THEATRE AT IBC2019 : 13-17 SEPT 2019 ⁷



The Challenges

Devices keep evolving rapidly!

- New IP-capable Boards
- New IP-capable Device Generations
- New Software Versions with new (required) features
- New Control Interfaces (NMOS!)

=> You have to freeze your design at some point!



IP SHOWCASE THEATRE AT IBC2019 : 13-17 SEPT 2019 ⁸



The Challenges

Defining “Software defined Hardware” I

- Several vendors have developed FPGA-based flexible processing hardware that can change its internal structure based on the software loaded on the box and/or the configuration applied.
- There is a trade-off between flexibility and complexity of configuration.
- Because flexibility was one of the decision criteria, the device chosen has complex configuration options.

BFE

IP SHOWCASE THEATRE AT IBC2019 : 13–17 SEPT 2019 ⁹



The Challenges

Defining “Software defined Hardware” II

- Essentially you have a “Subsystem in a Box” with router(s), frame synchronizers, de-/embedders, delays, color correction etc. which you have to design and configure yourself.
- We tried to keep the number of different configurations low and started with only three “types”
- During the course of the implementation we had to implement a lot more variants to overcome shortcomings in some devices.

BFE

IP SHOWCASE THEATRE AT IBC2019 : 13–17 SEPT 2019 ¹⁰



The Challenges

IP Address Management

- Currently a manual Task
- Requires a lot of management and configuration effort
- Needs to be automated for larger projects
(ideally using DHCP and IS-05, see JT-NM TR-1001-1)



IP SHOWCASE THEATRE AT IBC2019 : 13-17 SEPT 2019 ¹¹



The Challenges

Audio Channel Management

- How many audio channels per stream?
 - =1: Many multicast streams
 - >8: exceeds ST 2110-30 Level A (minimum requirement for standard compliance)
- Balance limits of stream receivers vs. channels on devices
- Standard audio stream width was chosen to be 8 channels

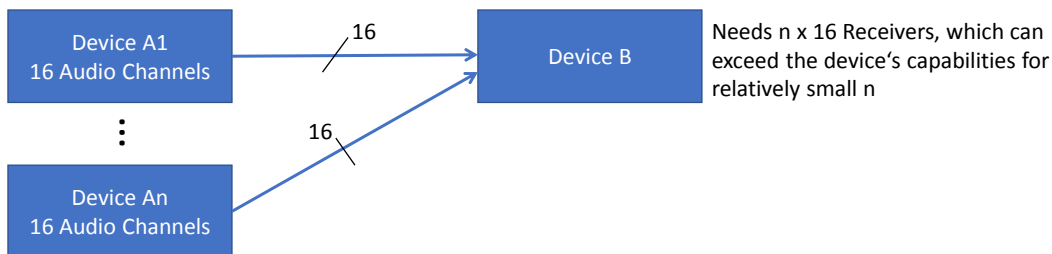


IP SHOWCASE THEATRE AT IBC2019 : 13-17 SEPT 2019 ¹²



Stream Receivers vs. Audio Channels

1 audio channel per stream

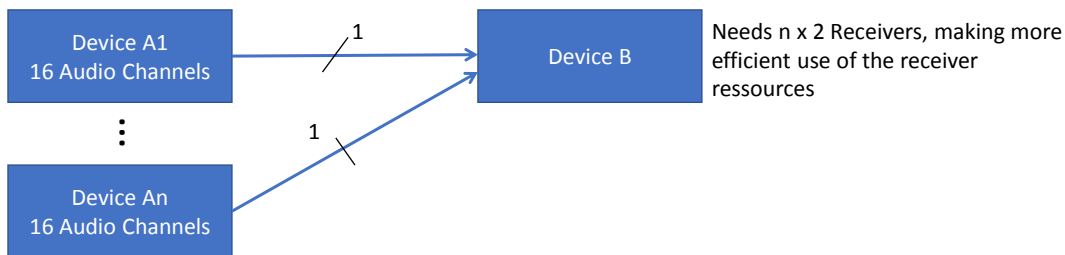


IP SHOWCASE THEATRE AT IBC2019 : 13-17 SEPT 2019 ¹³



Stream Receivers vs. Audio Channels

16 audio channels per stream

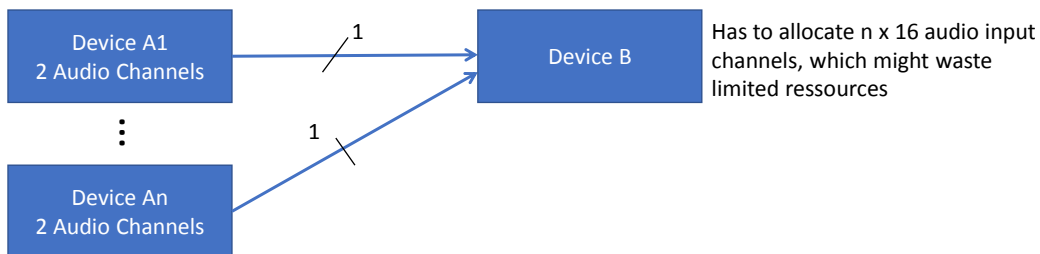


IP SHOWCASE THEATRE AT IBC2019 : 13-17 SEPT 2019 ¹⁴



Stream Receivers vs. Audio Channels

16 audio channels per stream

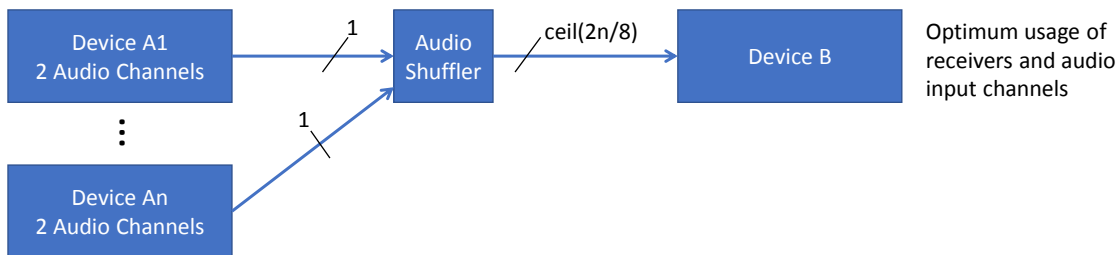


IP SHOWCASE THEATRE AT IBC2019 : 13-17 SEPT 2019 15



Stream Receivers vs. Audio Channels

8 audio channels per stream



IP SHOWCASE THEATRE AT IBC2019 : 13-17 SEPT 2019 16



The Challenges

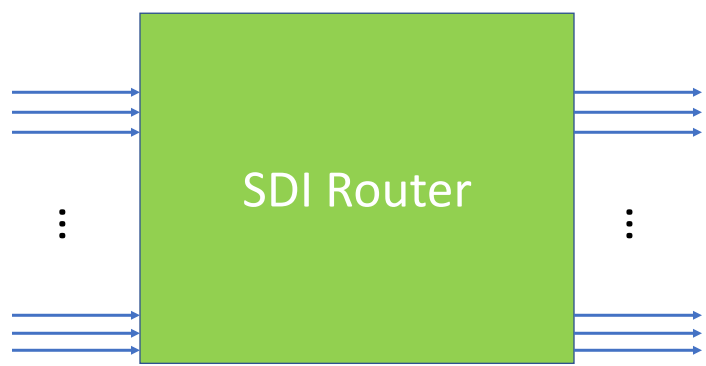
How to switch on and off



IP SHOWCASE THEATRE AT IBC2019 : 13-17 SEPT 2019 ¹⁷



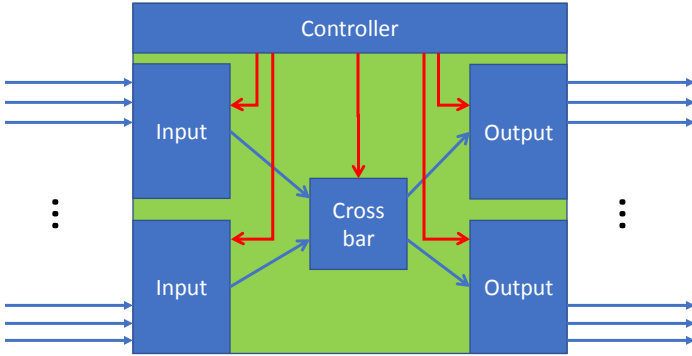
How to Switch on and off



IP SHOWCASE THEATRE AT IBC2019 : 13-17 SEPT 2019 ¹⁸



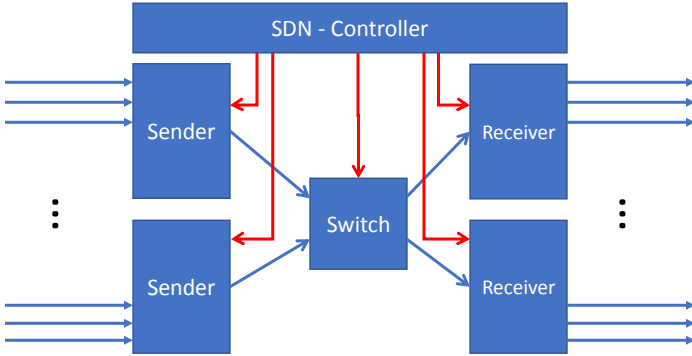
How to Switch on and off



IP SHOWCASE THEATRE AT IBC2019 : 13-17 SEPT 2019 19



How to Switch on and off



IP SHOWCASE THEATRE AT IBC2019 : 13-17 SEPT 2019 20



The Challenges

Training

- New topics
- Even some fundamentals are new
- There is a lot of uncertainty because people are unfamiliar with the technology.
- Troubleshooting procedures are different



IP SHOWCASE THEATRE AT IBC2019 : 13-17 SEPT 2019 ²¹



The Challenges

Synchronization

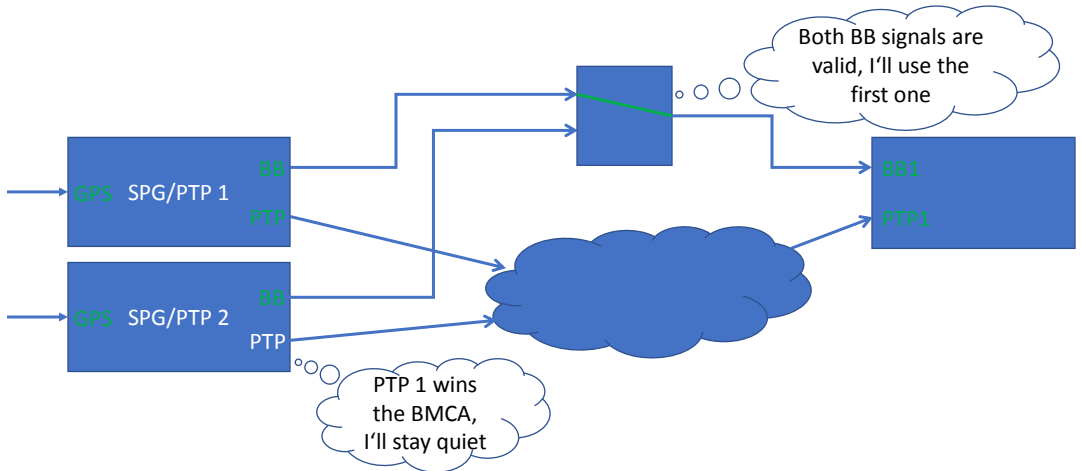
- PTP requires more configuration effort than Blackburst
 - JT-NM TR-1001-1 addresses this to a certain extent through a central system resource
- Syncing PTP and Blackburst
 - Operation with external Blackburst is well defined (EG 2059-10), but there are devices that operate differently
 - Redundancy mechanisms for PTP and BB operate independently and might produce undesired results.



IP SHOWCASE THEATRE AT IBC2019 : 13-17 SEPT 2019 ²²

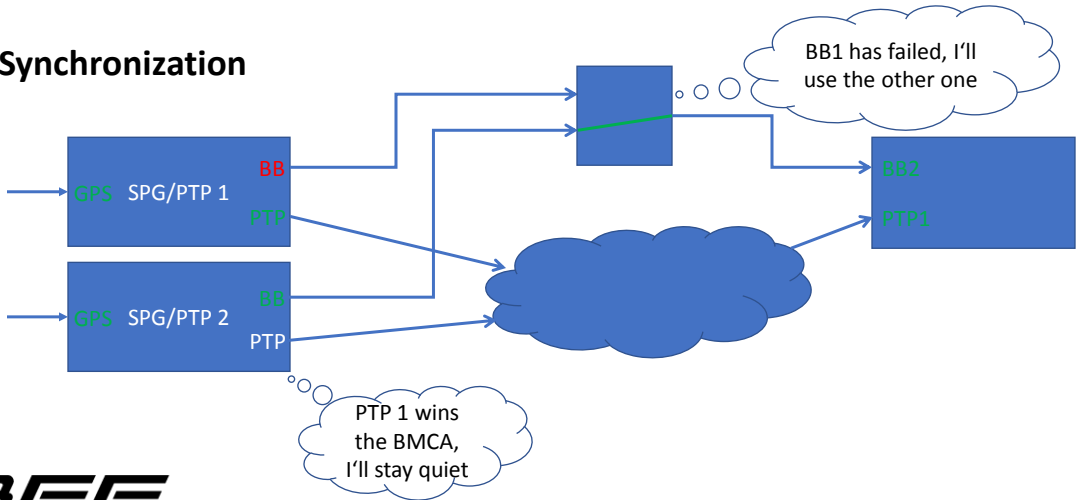


Syncing PTP and Blackburst



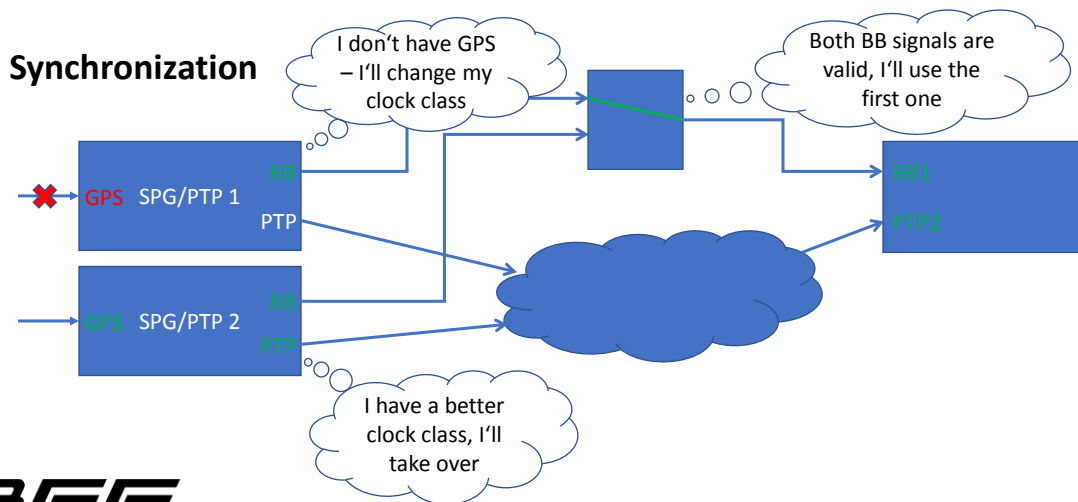
Syncing PTP and Blackburst

Synchronization





Syncing PTP and Blackburst



IP SHOWCASE THEATRE AT IBC2019 : 13-17 SEPT 2019 ²⁵



Syncing PTP and Blackburst

- Solution #1 (from vendor!): Buy two more SPGs and separate PTP generation from PTP to BB conversion (pair#2 will always generate the BB from the PTP GM)
(additional money and space required)
- Solution#2: Have an external control system manipulate PTP priority to follow BB change over unit.



IP SHOWCASE THEATRE AT IBC2019 : 13-17 SEPT 2019 ²⁶



The Conclusion

- We are in a transitional period
- IP based production systems are viable, however need careful design
- Adaption and some work arounds are still needed while technology matures
- It is essential to build knowledge of the new technology on all levels



IP SHOWCASE THEATRE AT IBC2019 : 13-17 SEPT 2019 ²⁷



Thank you

Hartmut Opfermann, BFE Studio und Medien Systeme
hopfermann@bfe.tv , +49 174 3299 040

Thank you to our Media Partners



IP SHOWCASE THEATRE AT IBC2019 : 13-17 SEPT 2019 ²⁸